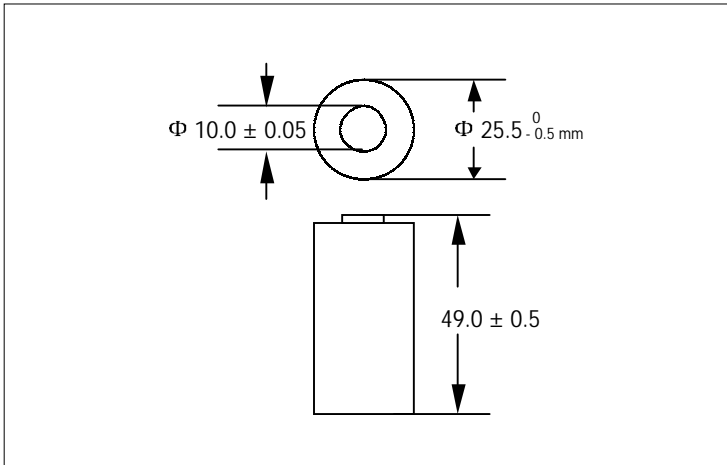


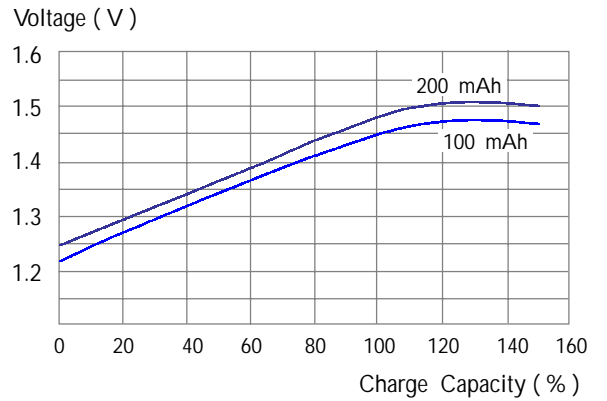
Data Sheet for T-C2000HT

Specifications	
Type :	Rechargeable Nickel Cadmium High Temperature Cell
Model (P/N) :	T-C2000HT
Nominal Dimension : (with sleeve)	$\Phi = 25.5_{-0.5}^0$ mm H = 49.0 ± 0.5 mm
Applications :	Recommended discharge current 200 to 2000 mA
Nominal Voltage :	1.2V
Nominal Capacity :	2000 mAh when discharge at 400 mA to 1.0 V at 20°C
Standard Charge :	100 mA for 48 hrs at 20°C
Fast Charge :	200 mA (0.1C) with charge termination control Recommended control parameters Timer: 140 % nominal input
Service Life :	> 500 cycles
Continuous Overcharge :	100 mA maximum permissible current No conspicuous deformation and / or leakage
Weight :	72 g
Internal Resistance :	Max 15 m Ω at 1000 Hz measured within 1 hour after standard charge
Max. Charging Voltage :	1.5 V at 100 mA charging
Ambient Temperature Range	Standard Charge : 0°C to 45°C Fast Charge : 10°C to 45°C Discharge : -20°C to 65°C Storage : -20°C to 45°C

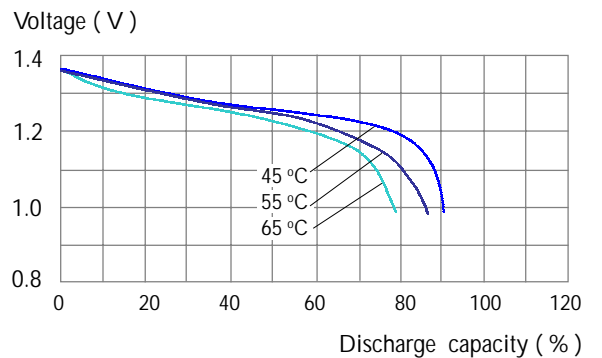


Characteristics

Charge Curves (20 °C)



Discharge Curves (400 mA)



Charge/Discharge Efficiency vs. Temperature

