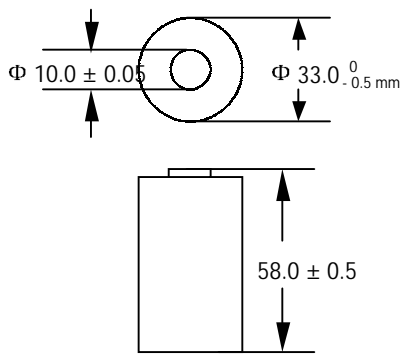


Data Sheet for T-D4000FC

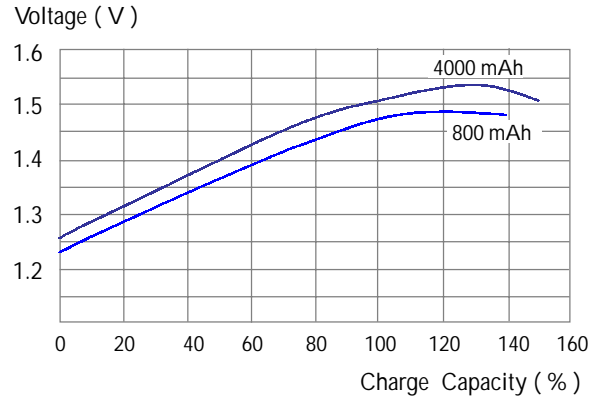
Specifications

Type :	Rechargeable Nickel Cadmium Fast Charge Cell
Model (P/N) :	T-D4000FC
Nominal Dimension : (with sleeve)	$\Phi = 33.0^{0}_{-0.5}$ mm H = 58.0 \pm 0.5 mm
Applications :	Recommended discharge current 400 mA to 4000 mA
Nominal Voltage :	1.2V
Nominal Capacity :	4000 mAh when discharge at 800 mA to 1.0 V at 20°C
Standard Charge :	800 mA for 7 hrs at 20°C
Fast Charge :	4000 mA (1 C) with charge termination control Recommended control parameters - Δ V:10 mV & Δ T/ Δ t:0.8~1°C/min Timer: 150 % nominal input
Service Life :	> 500 cycles
Continuous Overcharge :	400 mA maximum permissible current No conspicuous deformation and / or leakage
Weight :	132 g
Internal Resistance :	Max 20 m Ω at 1000 Hz measured within 1 hour after standard charge
Max. Charging Voltage :	1.5 V at 800 mA charging
Ambient Temperature : Range	Standard Charge : 0°C to 45°C Fast Charge : 10°C to 45°C Discharge : -20°C to 45°C Storage : -20°C to 45°C

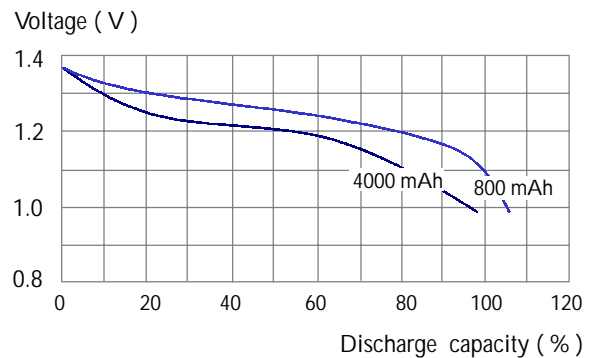


Characteristics

Charge Curves (20 °C)



Discharge Curves (20 °C)



Charge/Discharge Efficiency vs. Temperature

